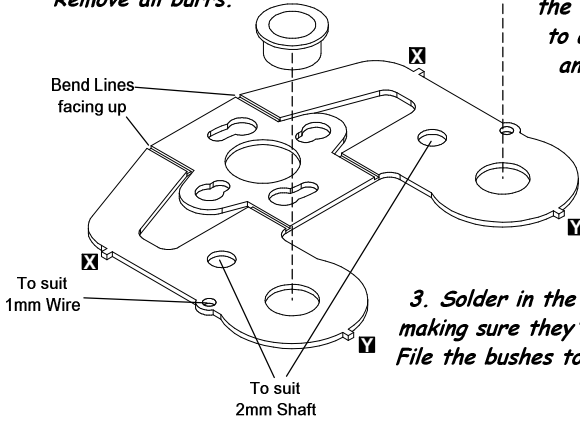


RoadRunner 34/45/60:1 Gearbox

These instructions cover the basic gearbox assembly sequence.
For additional information, hints and tips you can refer to our Guidance Section (see brackets).
Note: If this is your first High Level Gearbox we recommend you read all notes thoroughly.

1. While the etches are still in the fret, progressively open out the holes to suit the components, so they're a push-fit (see A & B).
Remove all burrs.

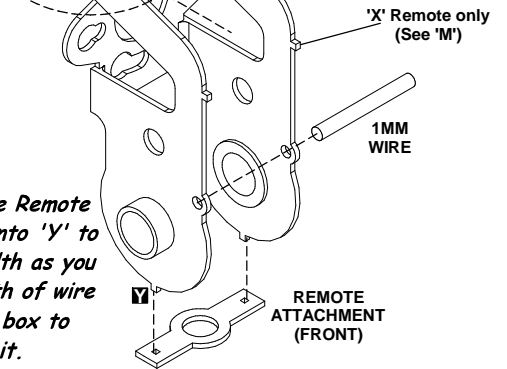


AXLE BUSH

2. Cut the etches from the fret. Take care not to accidentally remove any of the locators, 'X' and 'Y'.

3. Solder in the Axle Bushes, making sure they're fully home. File the bushes to size (see C).

4. Fold up the gearbox, with the bend lines on the inside (D).
Solder Fillet for strength
Bends 90 degrees

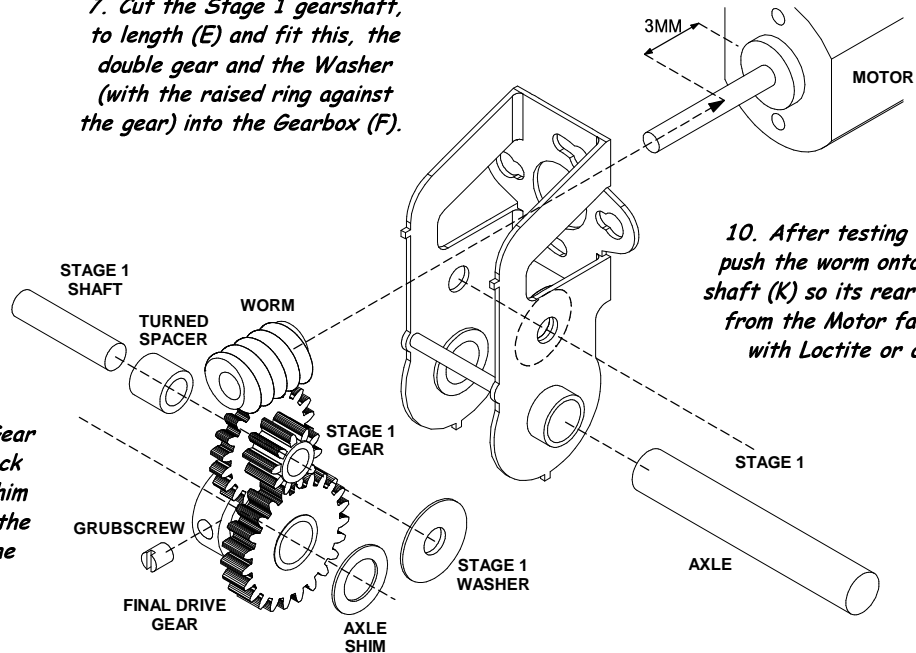


5. Clip on the Remote Attachment onto 'Y' to check the width as you solder a length of wire across the box to brace it.

6. Make another width check at 'X', then strengthen the bends with solder. Remove the Attachment and clean up the etch.

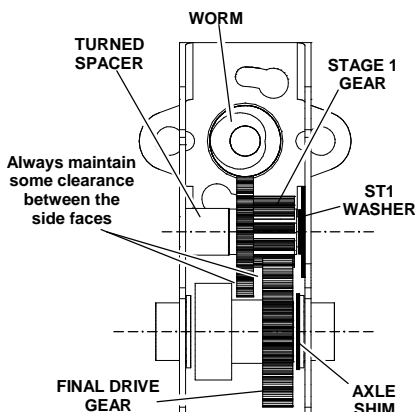
8. After checking the gear revolves freely (F) secure the ends of the shaft using a small amount of adhesive. Be careful the glue doesn't stray into the gear itself.

7. Cut the Stage 1 gearshaft, to length (E) and fit this, the double gear and the Washer (with the raised ring against the gear) into the Gearbox (F).



9. Fit the Axle and 23T Gear into the gearbox and check clearances (J). Fit the Shim if required, then tighten the Grubscrew and ensure the gears revolve smoothly.

10. After testing the Motor, push the worm onto the motor shaft (K) so its rear face is 3mm from the Motor face. Secure with Loctite or adhesive.



11. Fit the motor/worm assembly, (L) check the mesh (M) and test the gearbox under power. Lightly lubricate the mechanism (N) then the gearbox is ready to fit (C & J).

The kit includes the additional etched components (P) you will need to convert the gearbox into a remote-drive system, using cardan shafts linked to the motor by universal joints.

